

TIP500 16 Channels of Isolated 12 bit A/D Conversion

Application Information

The TIP500 is an IndustryPack® compatible module with 16 single-ended or 8 differential channels of isolated 12 bit A/D conversion. The data acquisition and conversion time is up to 10µs without channel / gain change and up to 12.5µs with channel / gain change.

The input multiplexer offers analog overvoltage protection of up to 70 Vpp. A programmable gain amplifier allows gains of 1, 2, 5, 10 or 1, 2, 4, 8. The full-scale input range is +/-10V for the TIP500-1x and 0-10V for the TIP500-2x.

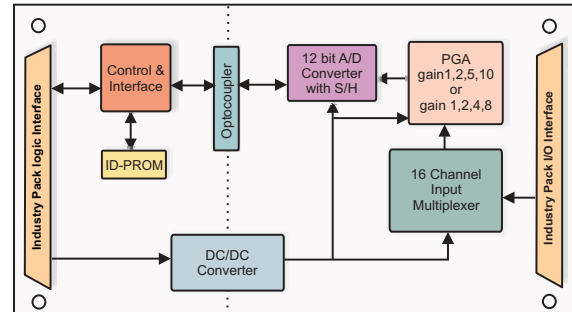
The isolated ADC, programmable gain amplifier and multiplexer are powered by an on board DC/DC converter. An interrupt can be generated at end-of-conversion supporting an 8 bit vector. Each TIP500 is factory calibrated. The calibration information is stored in the Identification-PROM unique to each IP.



For First-Time-Buyers the engineering documentation TIP500-ED is recommended. The engineering documentation includes TIP500-DOC, schematics and data sheets. Driver support (TIP500-SW-xx) for different operating systems is available.

Technical Information

- Interface according to IndustryPack specification
- Identification-PROM supports auto-configuration
- Single Size IndustryPack
- 16 single-ended or 8 differential channels of isolated 12 bit A/D conversion
- ESD protected input multiplexer
- Programmable gain amplifier, gain 1, 2, 5, 10 or gain 1, 2, 4, 8
- 12 bit A/D converter with internal S/H and reference
- Full-scale input range +/- 10 V or 0-10V (gain = 1)
- Interrupt capability at end-of-conversion
- Factory calibrated, calibration information in Identification-PROM unique to each IP
- Operating temperature -40°C to +85°C



Order Information

- TIP500-10** 16 Single-Ended or 8 Differential Channels of Isolated 12 bit Conversion, gain 1, 2, 5, 10, input range +/- 10V
- TIP500-11** 16 Single-Ended or 8 Differential Channels of Isolated 12 bit Conversion, gain 1, 2, 4, 8, input range +/- 10V
- TIP500-20** As TIP500-10 but input range 0-10V
- TIP500-21** As TIP500-11 but input range 0-10V
- TIP500-DOC** User Documentation
- TIP500-ED** Engineering Documentation, includes TIP500-DOC
- TIP500-SW-12** OS-9 Software Support
- TIP500-SW-32** pSOS Software Support
- TIP500-SW-42** VxWorks Software Support
- TIP500-SW-62** Windows NT 4.0 Software Support
- TIP500-SW-72** LynxOS Software Support
- TIP500-SW-82** LiNux Software Support
- TIP500-SW-92** QNX 4 Software Support
- TIP500-SW-95** QNX 6 Software Support